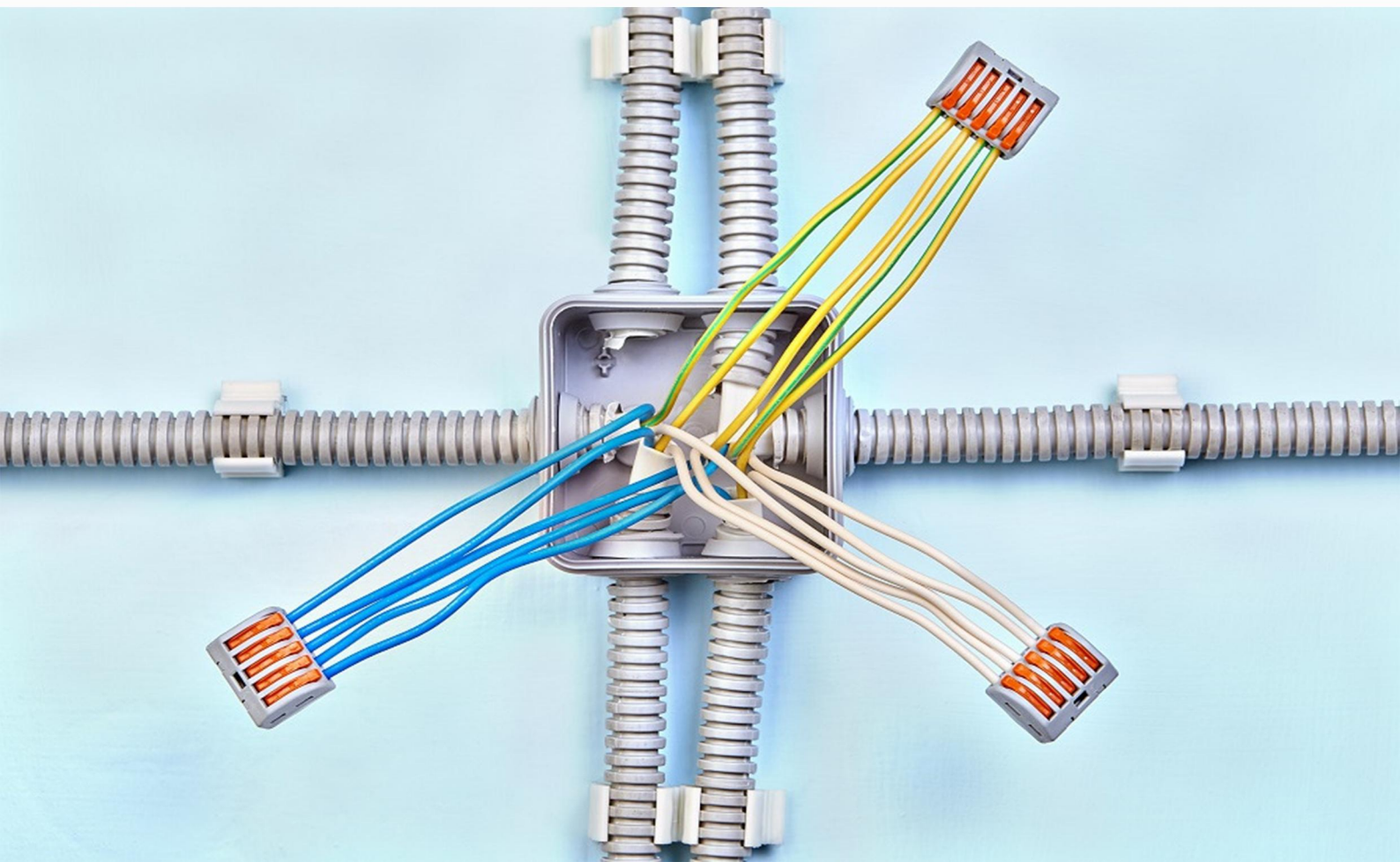




HOMSO

Electrical Equipment & Supplies





About us



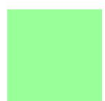
Flexible Corraguated Conduits



Conduits Fittings

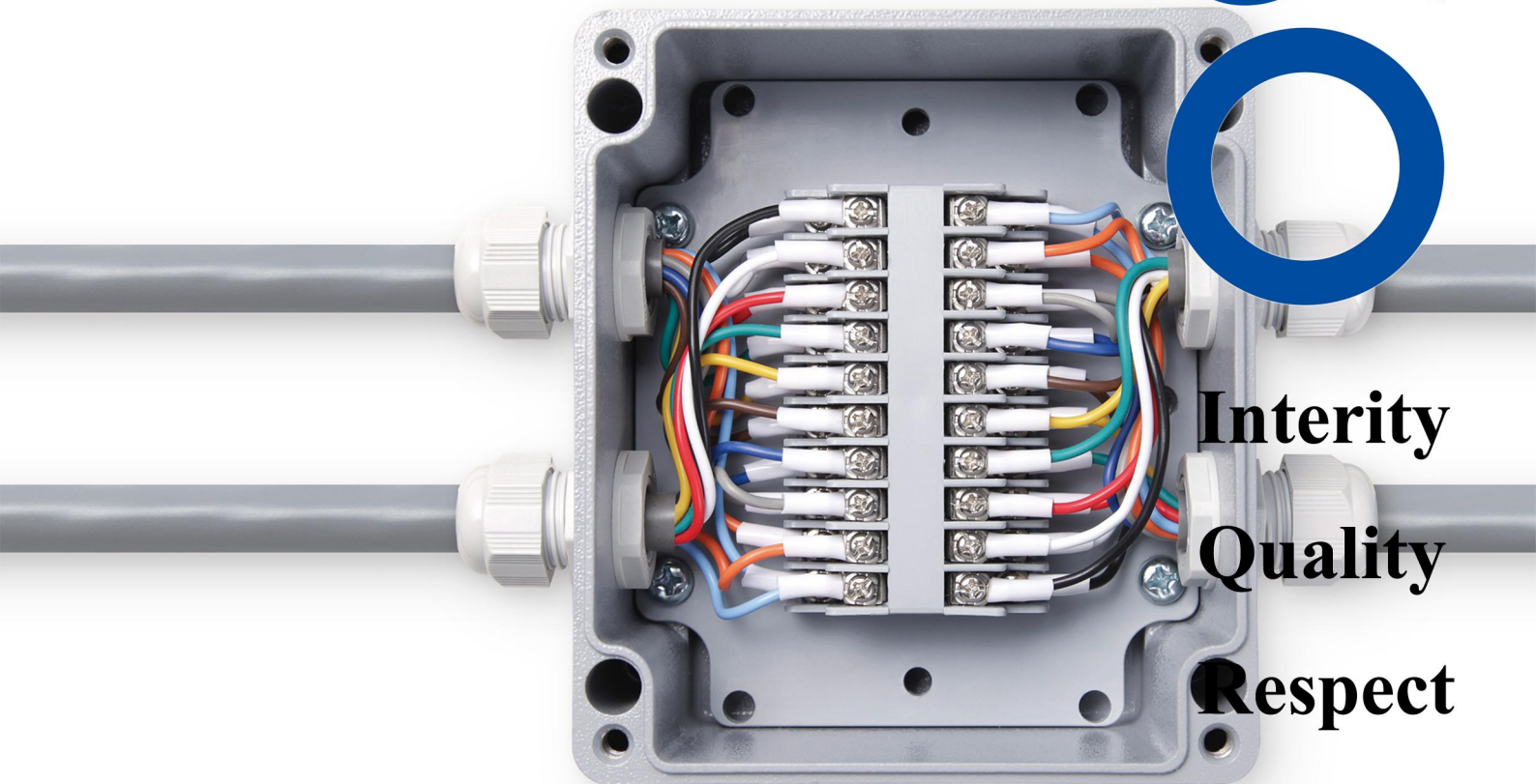


Socket Box



Junction Box

ITOMSO



Integrity

Quality

Respect

COMPANY PROFILE

GUANGDONG XIONGSU TECHNOLOGY GROUP

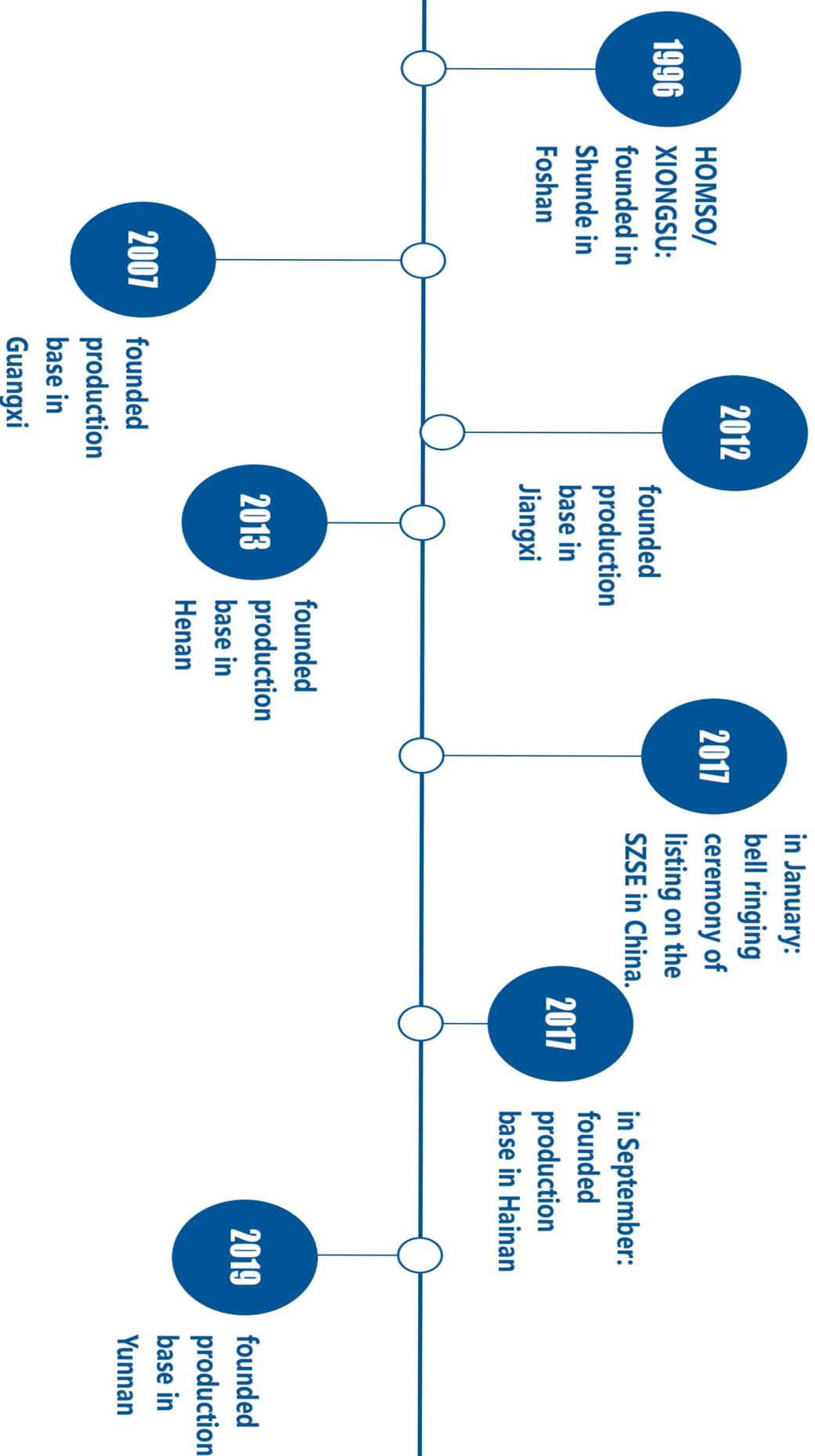
Guangdong Xiongsu Technology Group (also known as HOMSO) was established in 1996 and the headquarters is located in Foshan. Xiongsu is specialized in R&D, manufacturing and sales of high-quality plastic pipes including PPR, HDPE, PVC pipes and fittings, related tools as well. Besides, we are making great efforts to develop new products to meet different requirements.

HOMSO headquarters covers an area of over 130 000 square meters and has more than 700 employees, and an annual production capacity of 300 000 tons in a factory. Moreover, Xiongsu has 6 wholly-owned subsidiaries, five of which are production bases in different provinces.

HOMSO reached a sales turnover of USD279 100 000 in 2020, including export revenue, covering 146 countries all over the world. HOMSO strictly follow ISO9001 quality system and ISO14001 environment system to arrange manufacturing. We keep using high-class raw material, strict quality control in the workshop and laboratory with various professional test equipments, that ensures all product can meet the corresponding inspection standard.

Adhering to the business principle of mutual benefits, we have had a reliable reputation among our customers because of our professional services, quality products and competitive prices.

HOMSO DEVELOPMENT HISTORY

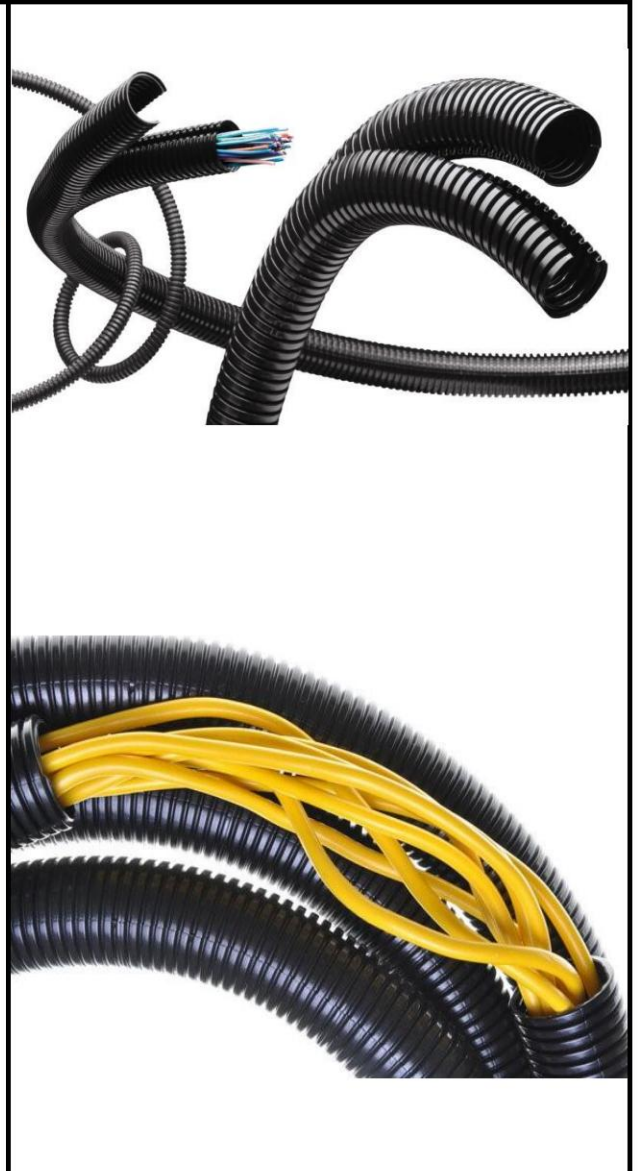


HOMSO Flexible Conduits

Corrugated pipes consist of plastic-based insulating material pipes with diameters varying in a corrugated shape. Manufactured from a rigid material, the pipes are dimensionally stable, while the surface corrugation increases the product's flexibility, particularly in moving applications. Furthermore, this facilitates the laying of the corrugated tube. Almost all common plastics qualify as material for the production of corrugated pipes. Therefore, the HOMSO product range includes a large number of corrugated pipes with various material compositions from PVC to PTFE.

HOMSO flexible manufactured under
 BS EN IEC 61386
 AS/NZS 2053.5:2001
 UL1696, UL1660
 CSA 22.2 No. 227.3


Specifications:
 Length: 10m-300m/roll;
 Color: Black/ Grey, or customized;
 Material: PVC/ PE/ PP/ PA/ More;
 Compressive strength: 320 N -1250 N;
 Impact resistance: 1 J-6 J;
 Temperature range: -20° C + 70 ° C;
 Curvable;
 No propagator of the flame;
 Non-metallic, lead free;
 UV-resistance.



For North America			Internal Diameter		Outside Diameter		Inside Bend Radius	Weight
US Trade Size	ISO (MM)	CSA (MM)	Min (mm)	Max (mm)	Min (mm)	Max (mm)	Static (mm)	Kgs per 30 meters
1/4"	10	8	9.779	10.287	14.224	14.605	15.2	2
3/8"	16	12	12.294	12.802	17.526	18.304	17.8	3
1/2"	20	16	15.799	16.307	20.828	21.336	22.9	4
3/4"	25	21	20.828	21.336	26.162	26.67	27.9	5
1"	32	27	26.441	27.076	32.766	33.401	33	7
1 1/4"	40	35	35.052	35.814	41.402	42.164	43.2	9
1 1/2"	50	41	40.005	40.640	47.371	48.26	48.3	12
2"	63	53	51.308	51.436	59.436	60.325	61	16


Nominal(mm)	Outer Diameter (mm)	Inner Diameter (mm)	Working Bending Radius (mm)
20	20(±0.3)	14(±0.3)	120
25	25(±0.4)	18.2(±0.4)	150
32	32(±0.4)	23.8(±0.4)	192
40	40(±0.4)	32.6(±0.5)	240
50	50(±0.5)	41(±0.5)	300
63	63(±0.6)	52(±0.6)	378

MEDIUM DUTY
For Australia and New Zealand




Nominal(mm)	Outer Diameter (mm)	Inner Diameter (mm)	Working Bending Radius (mm)
20	20(±0.3)	14(±0.3)	120
25	25(±0.4)	18.2(±0.4)	150
32	32(±0.4)	23.8(±0.4)	192
40	40(±0.4)	32.6(±0.5)	240
50	50(±0.5)	41(±0.5)	300
63	63(±0.6)	52(±0.6)	378
80	96(±0.9)	79(±0.9)	480

HEAVY DUTY
For Australia and New Zealand



EU Sizes(mm)	Nominal Size (mm)	Outer Diameter (mm)	
7	10	10	6.3
8	11	11.5	8.2
10	13	13	9.8
12	16	15.8	11.8
14	18	18.5	14.2
	20	20	14.8
17	21	21.2	16.7
	25	25	19.1
23	28	28.5	22.8
29	34	34.5	28.1
36	42	42.5	35.5
48	54	54.5	47.2
56	67	67.2	56.3

EN/BS standard
contact us to get more specification and design to different materials.





Conduits Fittings Type	Features
Straight Connectors	Made from a specially compounded homogenous flame retardant material IP 67 Ingress Protection
90 Degree Connectors	
Mounting Bracket	

Application

Building cable management and protection:



Infrastructure cable management and protection:



Automotive:



Machine:



Telecommunication



HOMSO Switch & Back Boxes

Cost effective, plastic back boxes for a wide range of applications including connector mounting and mains power feeds.

There are cable entry knockouts on all sides of the back box as well as the base for maximum installation flexibility. Made from flame retardant thermoplastic.

Dimensions:

- 1 gang: 87*87mm
- 2 gang: 87*148mm
- 3 gang: 87*208mm

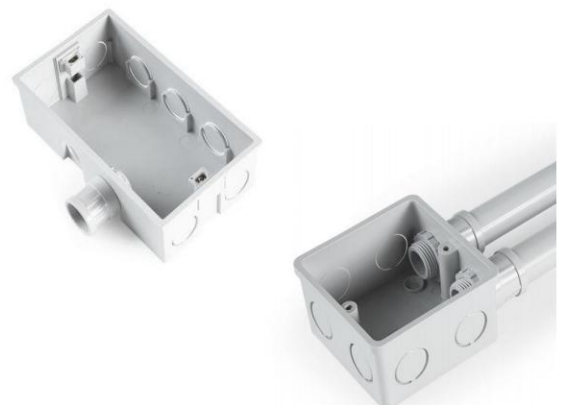
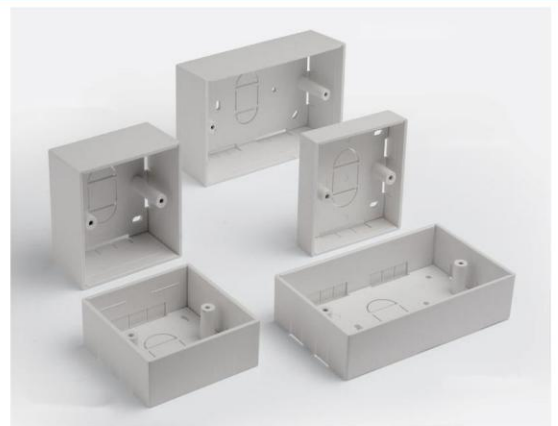
Fixing Centers:

- 1 gang: 60.3mm
- 2 gang: 120.6mm
- 3 gang: 180.9mm

Standards: BS4662/ BS5733



Product name	Size	Depth (mm)	Packing PCS/Carton	Carton Size
SurfaceMount boxes Knockout Square Corner or Round Corner	1 Gang	16mm	100	43*20*42 cm
	2 Gang	16mm	100	
	1 Gang	21mm	100	
	1 Gang	27mm	100	
	1 Gang	30mm	100	
	2 Gang	30mm	100	
	3 Gang	30mm	100	
	1 Gang	32mm	100	
	1 Gang	45mm	100	
	2 Gang	32mm	100	
2 Gang	45mm	100		



Product name	Size	Depth (mm)	Packing PCS/Carton	Carton Size	
Dry Lining Installation Box with Adjustable Lugs Square	1 Gang	35mm	100	43*20*42 cm	
	2 Gang	35mm	100		
	1 Gang	47mm	100		
	2 Gang	47mm	100		
Circular Dry Lining Installation Box	2*20mm	35mm	100	43*20*42 cm	
Dual Accessory Single Gang x 2 Dry Lining Installation Box with Adjustable Lugs	168*83 mm	35mm	100	43*20*42 cm	
Dual Accessory Single Gang + Double Gang Dry Lining Installation Box with Adjustable Lugs	218*83 mm	35mm	100	43*20*42 cm	
Product name	Size (mm)	Depth (mm)	Packing PCS/Carton	Carton Size	
Surface Mount Wall Boxes	86*93	37mm	100	43*20*42 cm	
	86*164	37mm	100		
	86*235	37mm	100		

HOMSO Universal Boxes

Low-cost and small-sized screw fastening type waterproof plastic enclosure.

With 2 different cover types (white gray and transparent)

Applicable for various uses as Junction box, Wiring pull box, Switch box, Controller and so on.

Different sizes available.

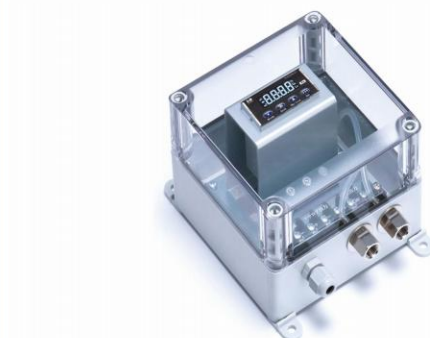
Protection class: IP65-IP67 (equivalent to NEMA6 rating)

Operating temperature: -20°C ~ +75°C

Recommended torque: 1N · m ~ 1.5N · m



Product name	Size (mm)	Depth (mm)	Packing PCS/Carton	Carton Size
50*65		45	100	
		55	100	
65*95		55	100	
75*105		55	100	
80*80		60	100	
		45	100	
		70	100	
		85	100	
80*110		70	100	
		85	100	
80.5*130		70	100	
80*130		85	100	
		70	100	
80*180		85	100	
		70	100	
80*250		85	100	
		75	100	
100*100		75	100	
		100	100	



Plastic Enlosure Boxes

100*185	70	100
100*200	70	100
100*230	70	100
	75	100
125*125	100	100
140*170	95	100
140*230	95	100
	75	100
150*150	100	100
	46	100
	75.5	100
150*200	100	100
	130	100
	160	100
150*250	100	100
	130	100
160*160	70	100
	100	100
	130	100
201*201	161	100
	190	100
210*230	100.3	100

43*20*42
cm

